
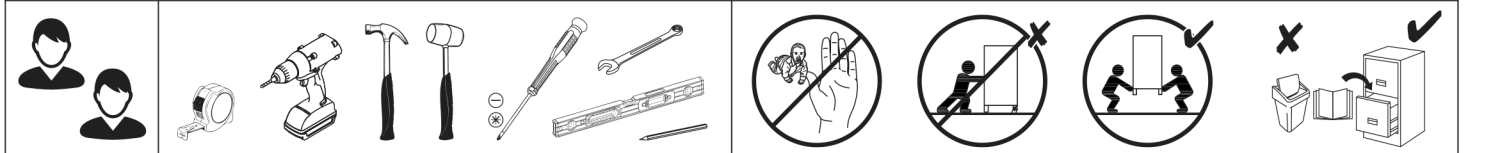
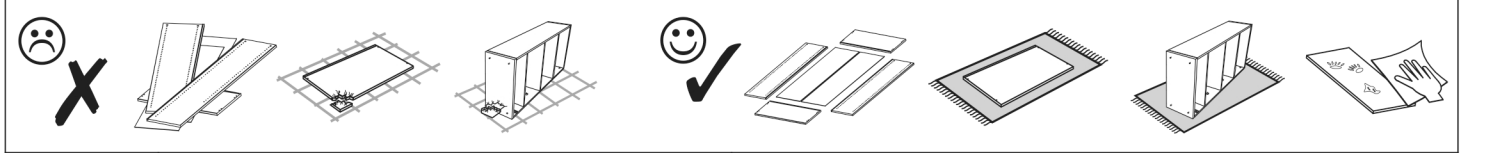
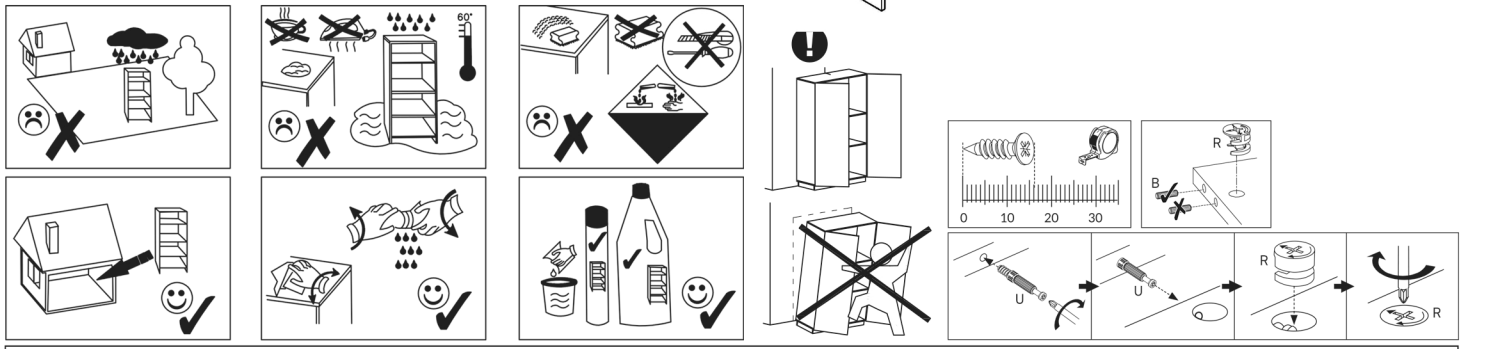
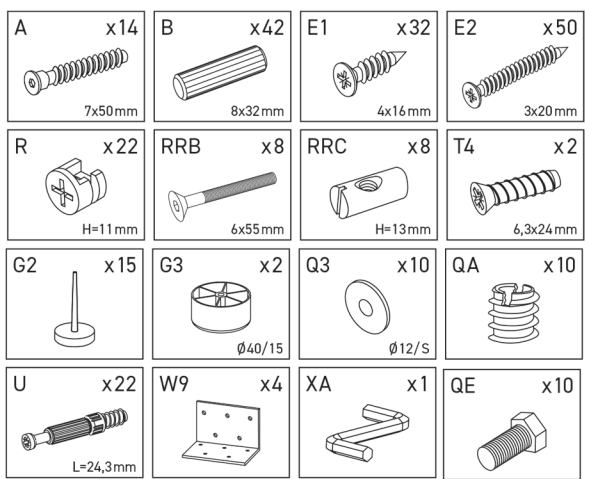
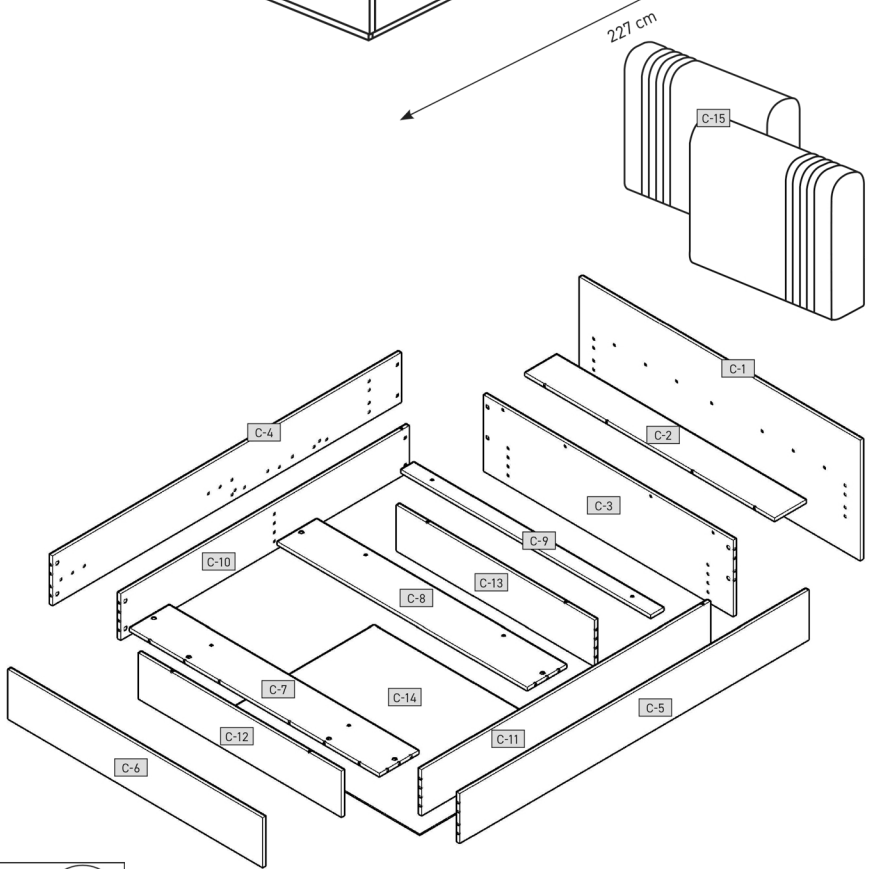
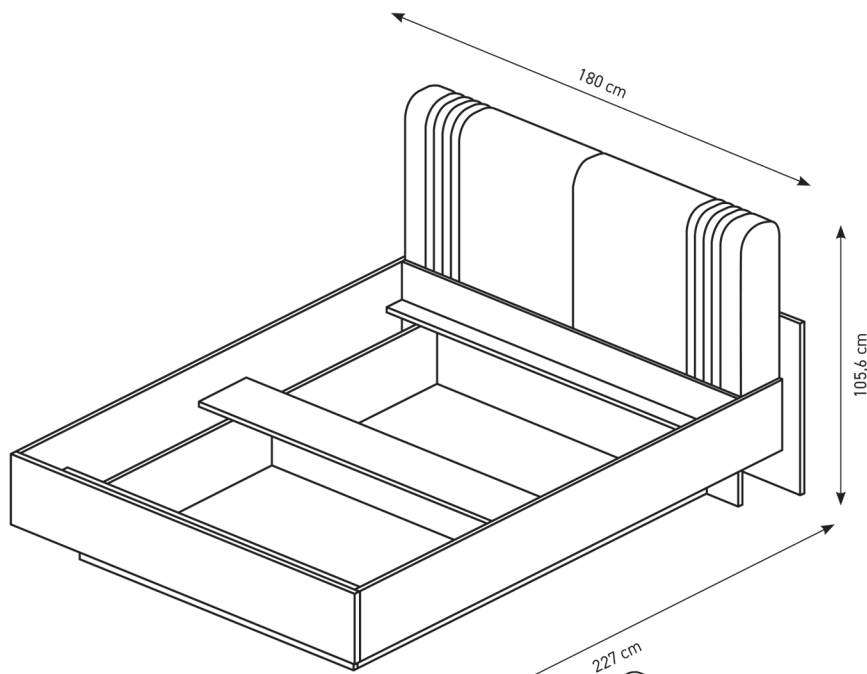


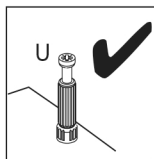
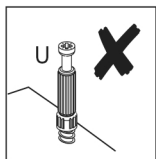
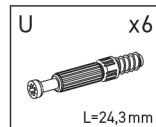
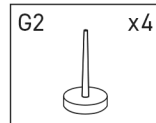
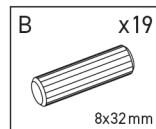
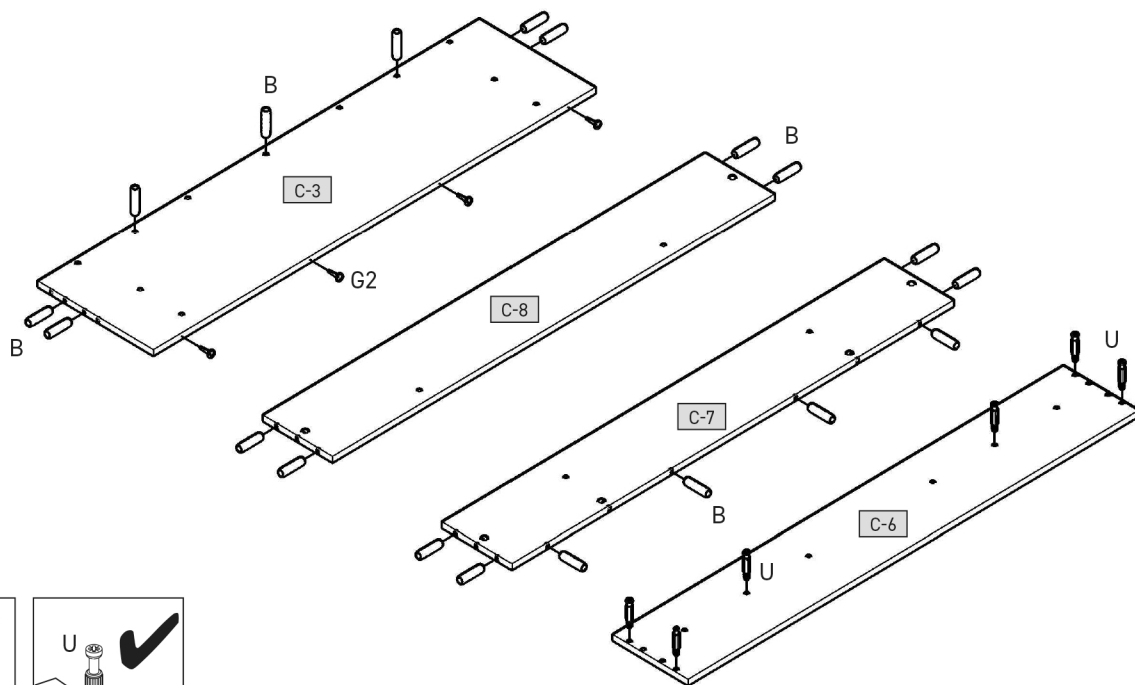
DUKEN 160x200

ca. 2 h 

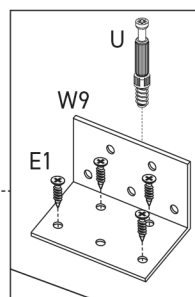
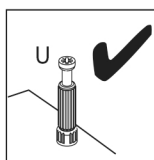
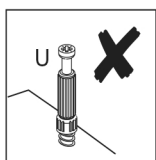
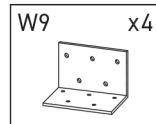
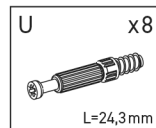
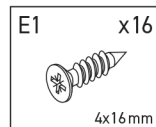
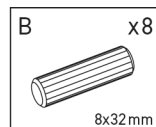
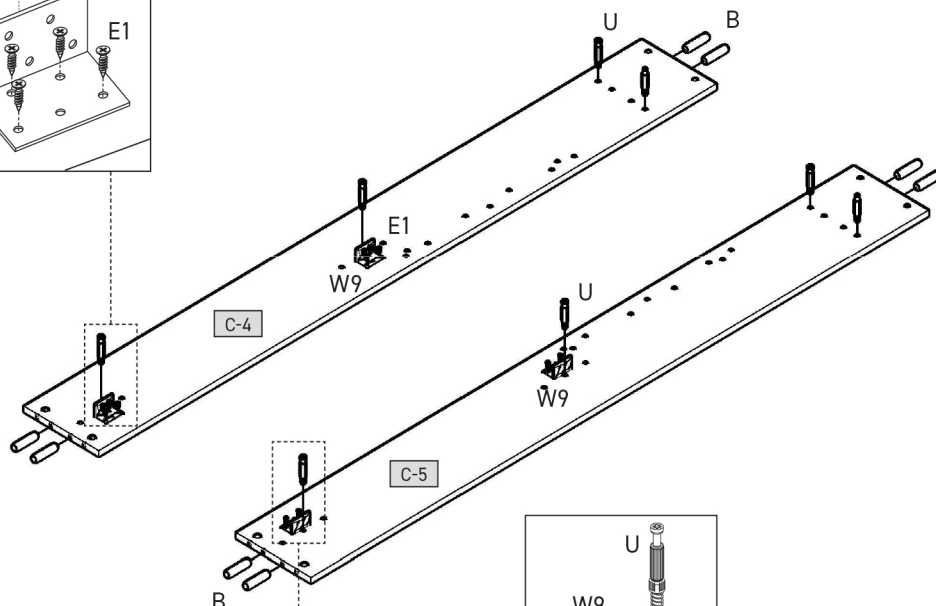
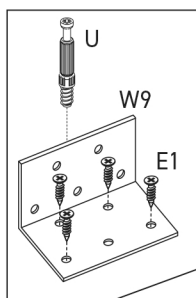
C-1	1800	660	16	x 1	2/3
C-2	1600	200	16	x 1	2/3
C-3	1600	417	16	x 1	2/3
C-4	2238	270	16	x 1	1/3
C-5	2238	270	16	x 1	1/3
C-6	1633	271	16	x 1	1/3
C-7	1600	250	16	x 1	2/3
C-8	1600	250	16	x 1	2/3
C-9	1600	80	16	x 1	2/3
C-10	1850	250	16	x 1	1/3
C-11	1850	250	16	x 1	1/3
C-12	1301	250	16	x 1	1/3
C-13	1268	250	16	x 1	1/3
C-14	1296	1002	3	x 1	2/3
C-15	800	640	200	x 2	3/3



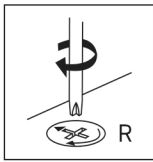
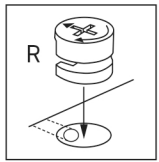
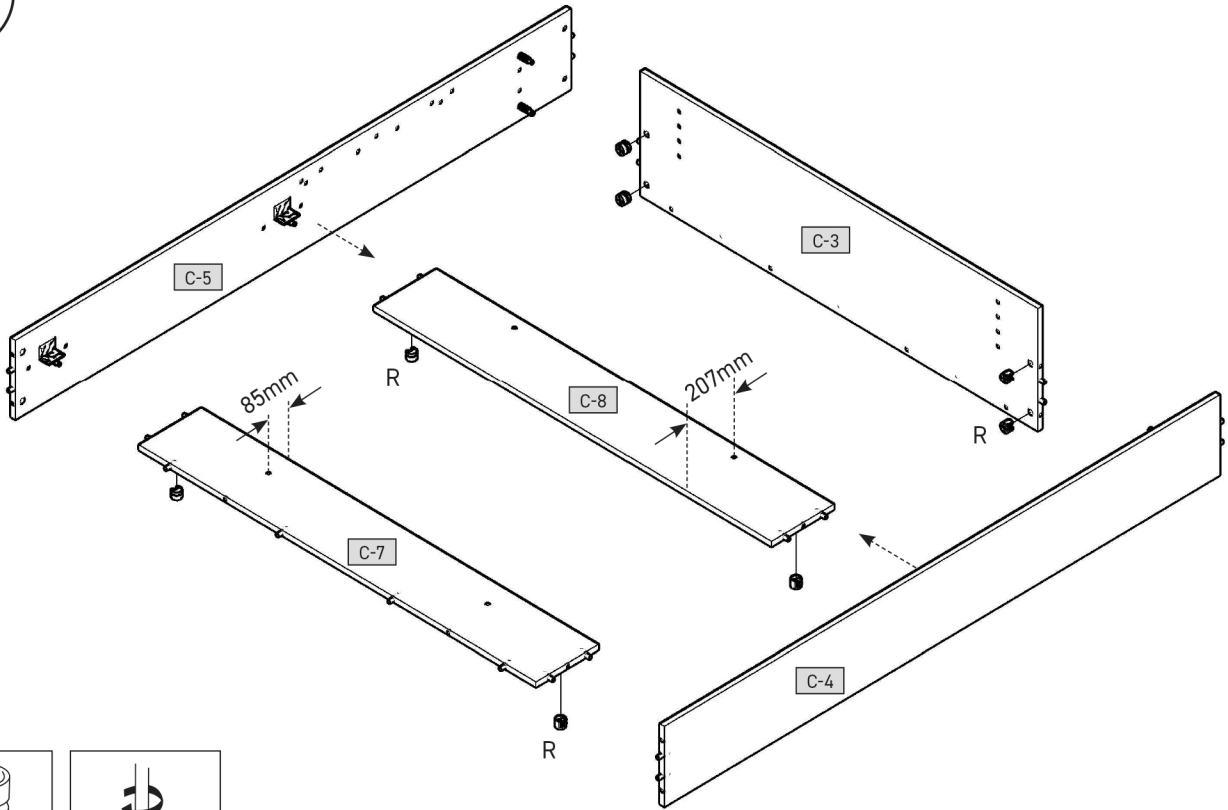
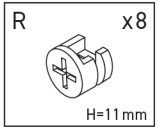
1



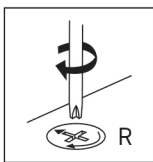
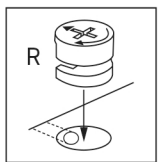
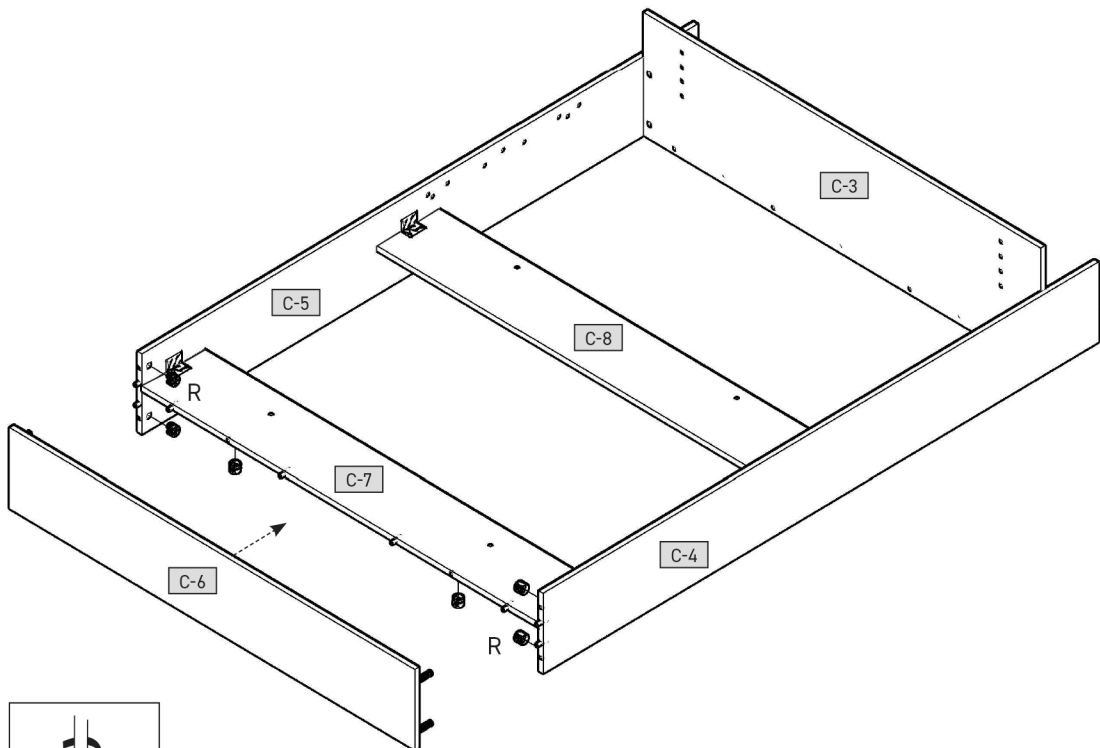
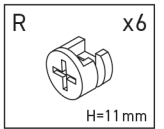
2



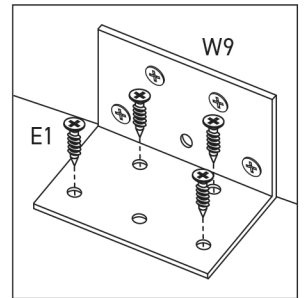
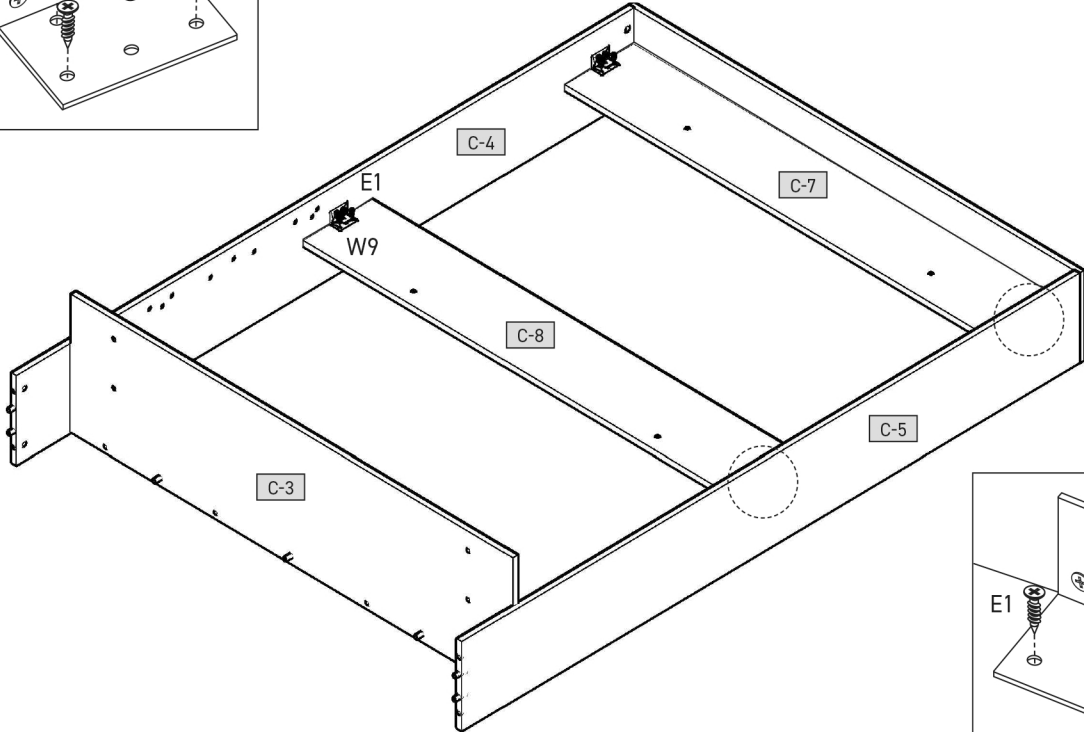
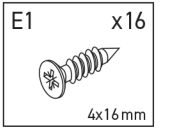
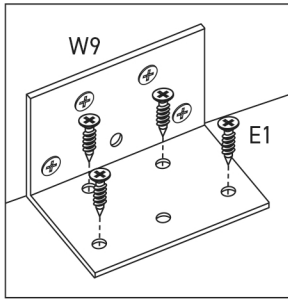
3



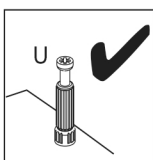
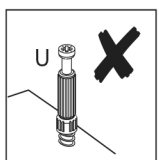
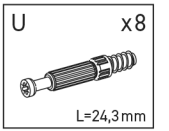
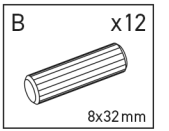
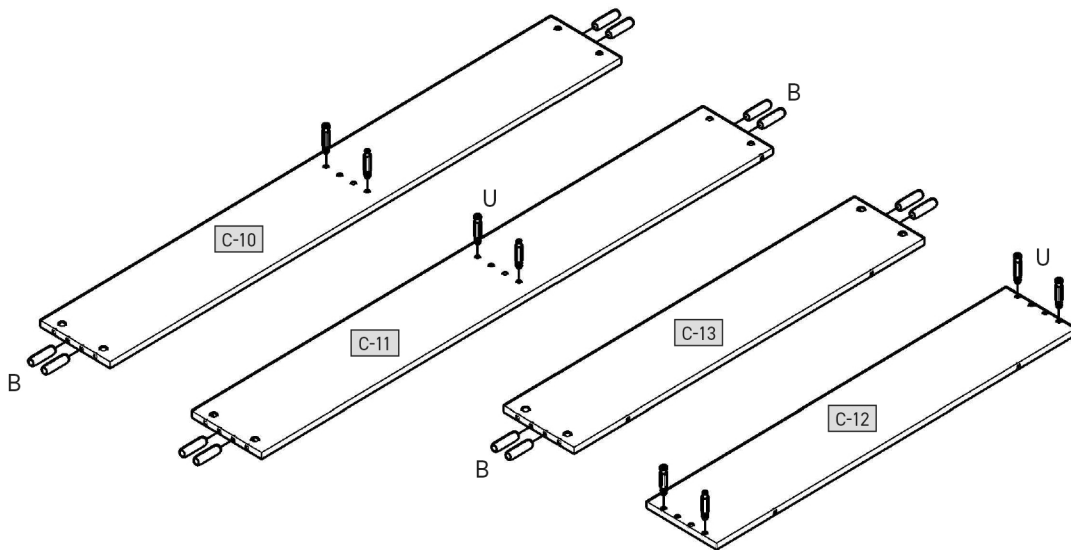
4



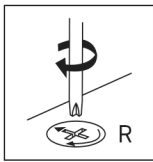
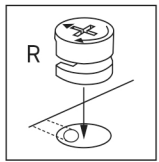
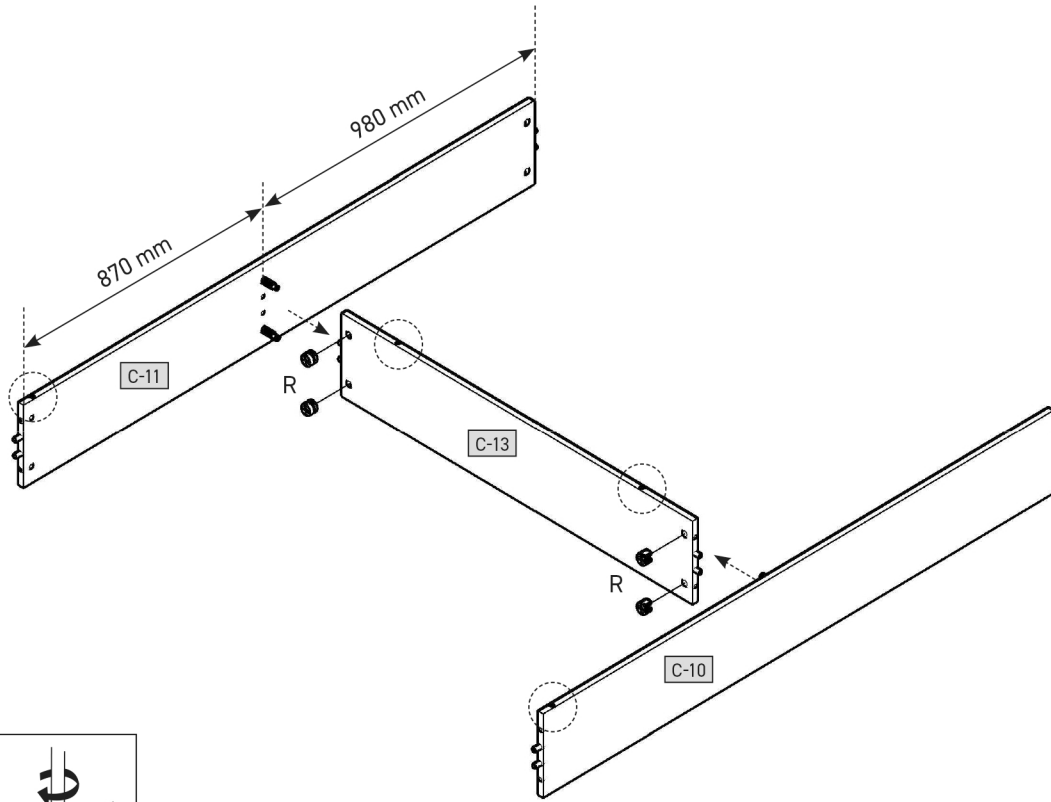
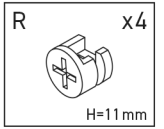
5



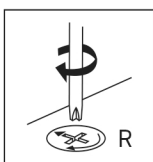
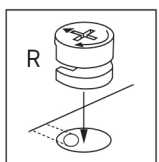
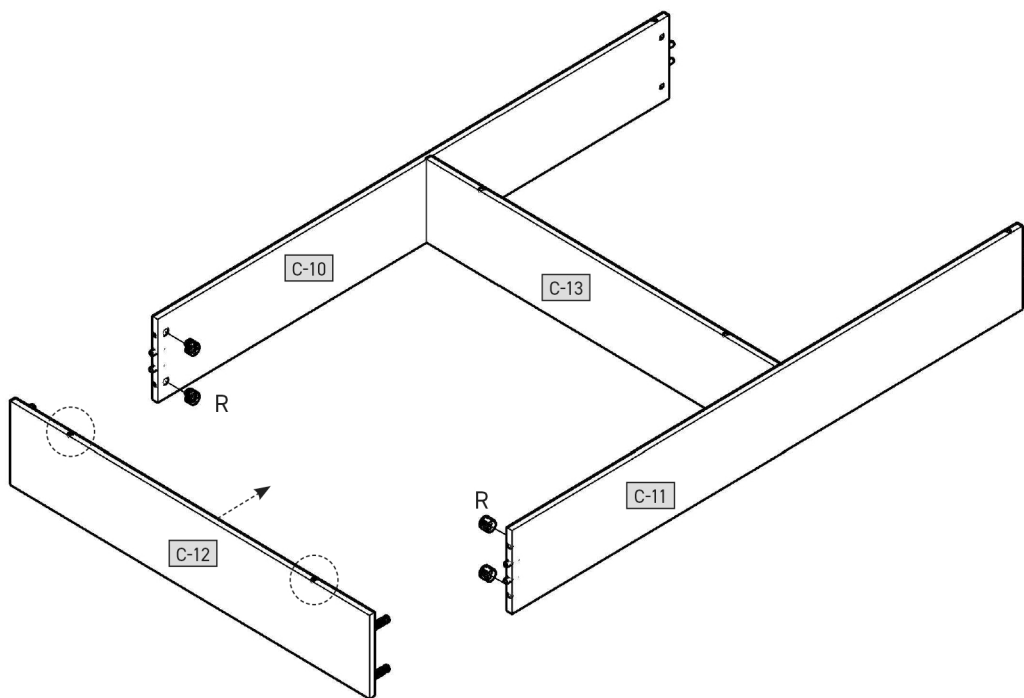
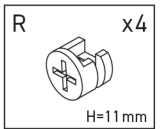
6



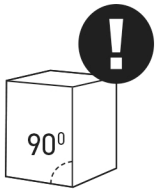
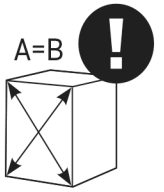
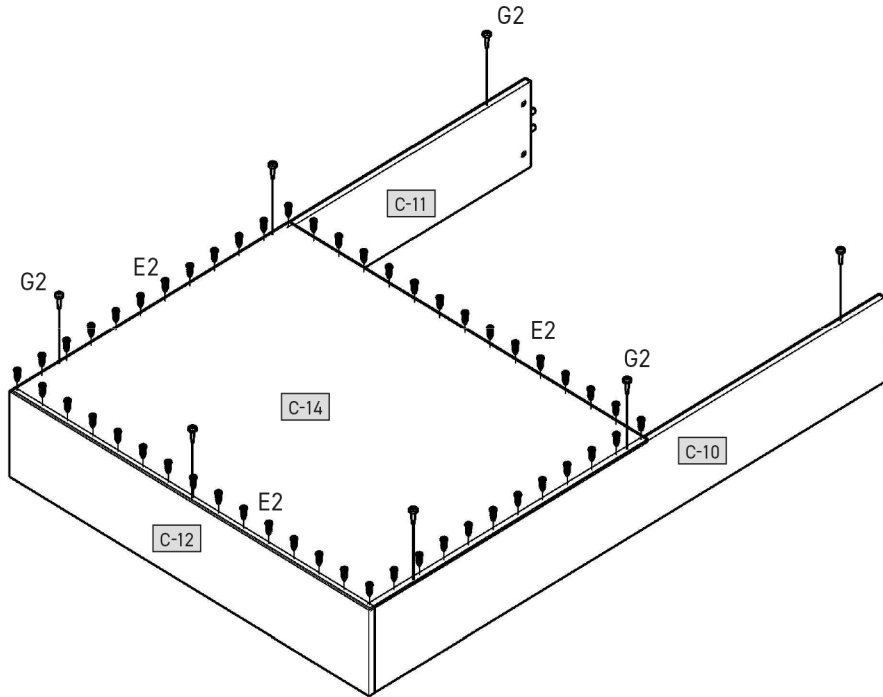
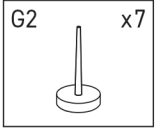
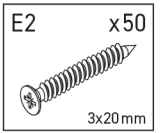
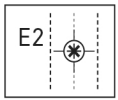
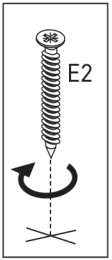
7



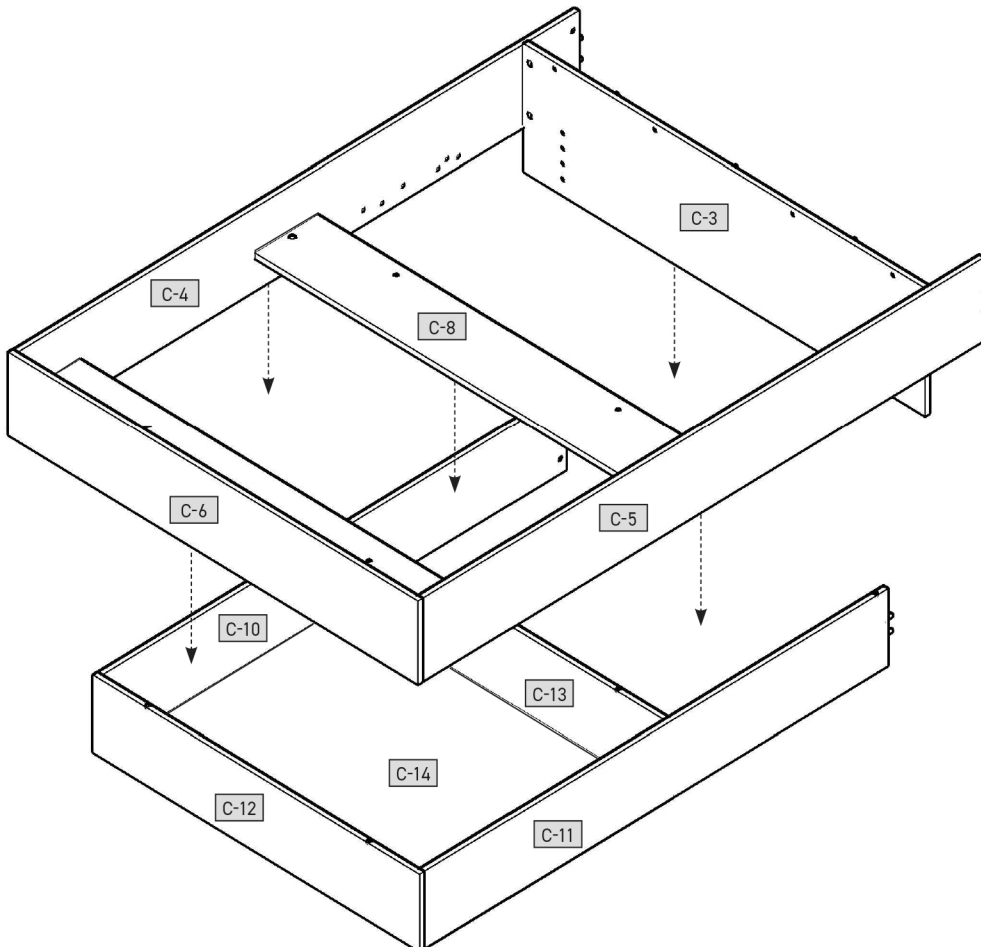
8



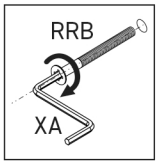
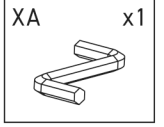
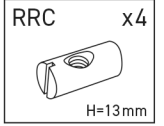
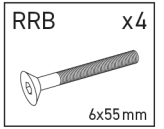
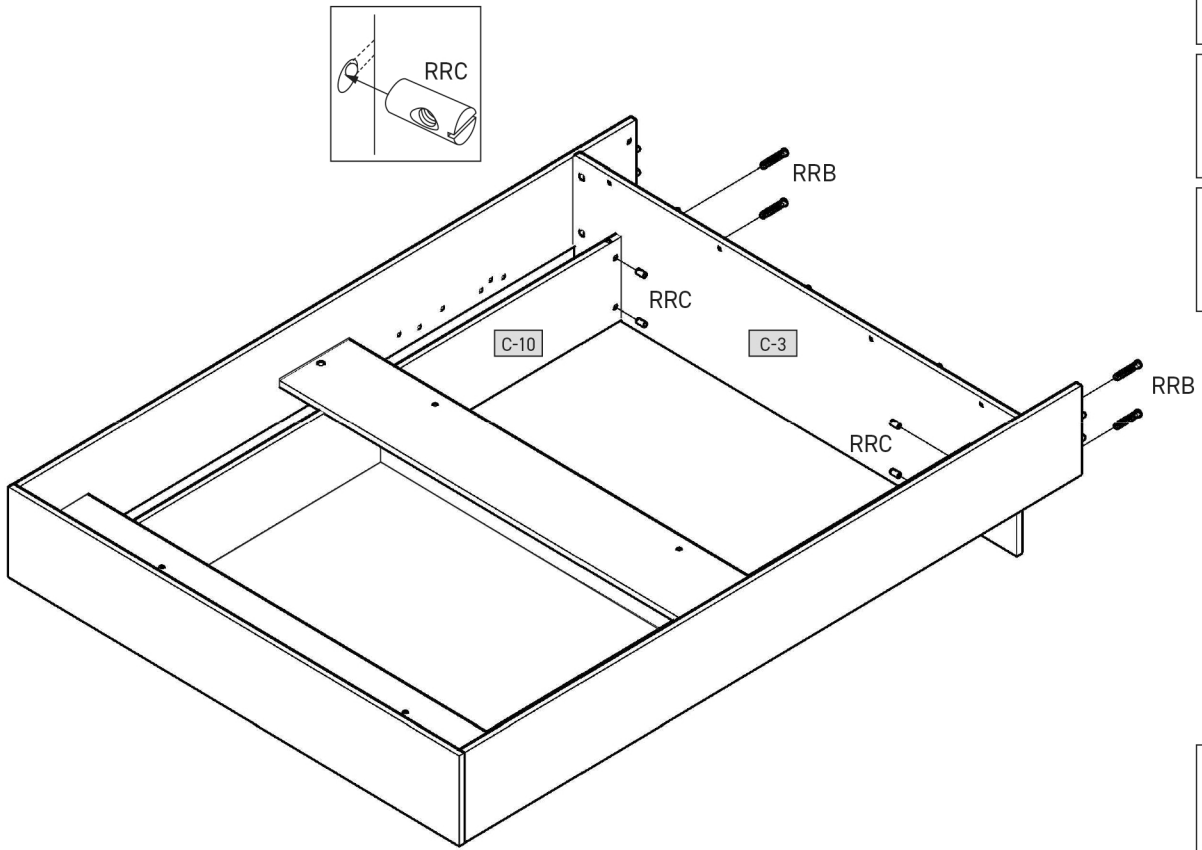
9



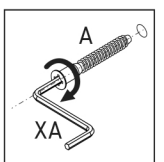
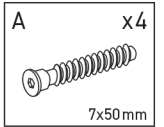
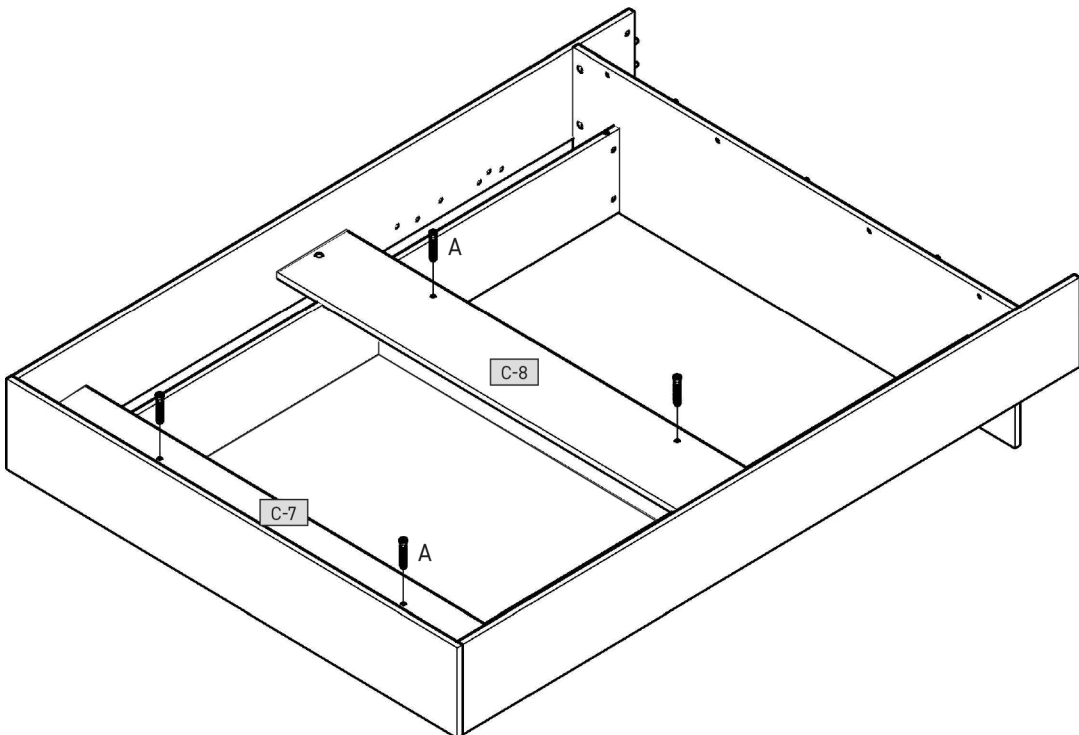
10



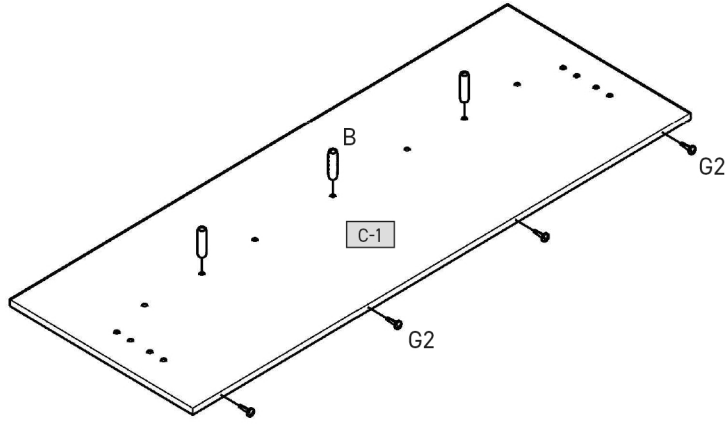
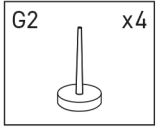
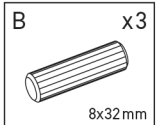
11



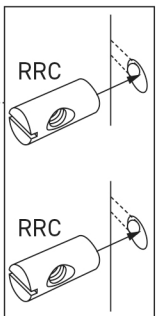
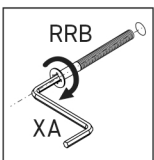
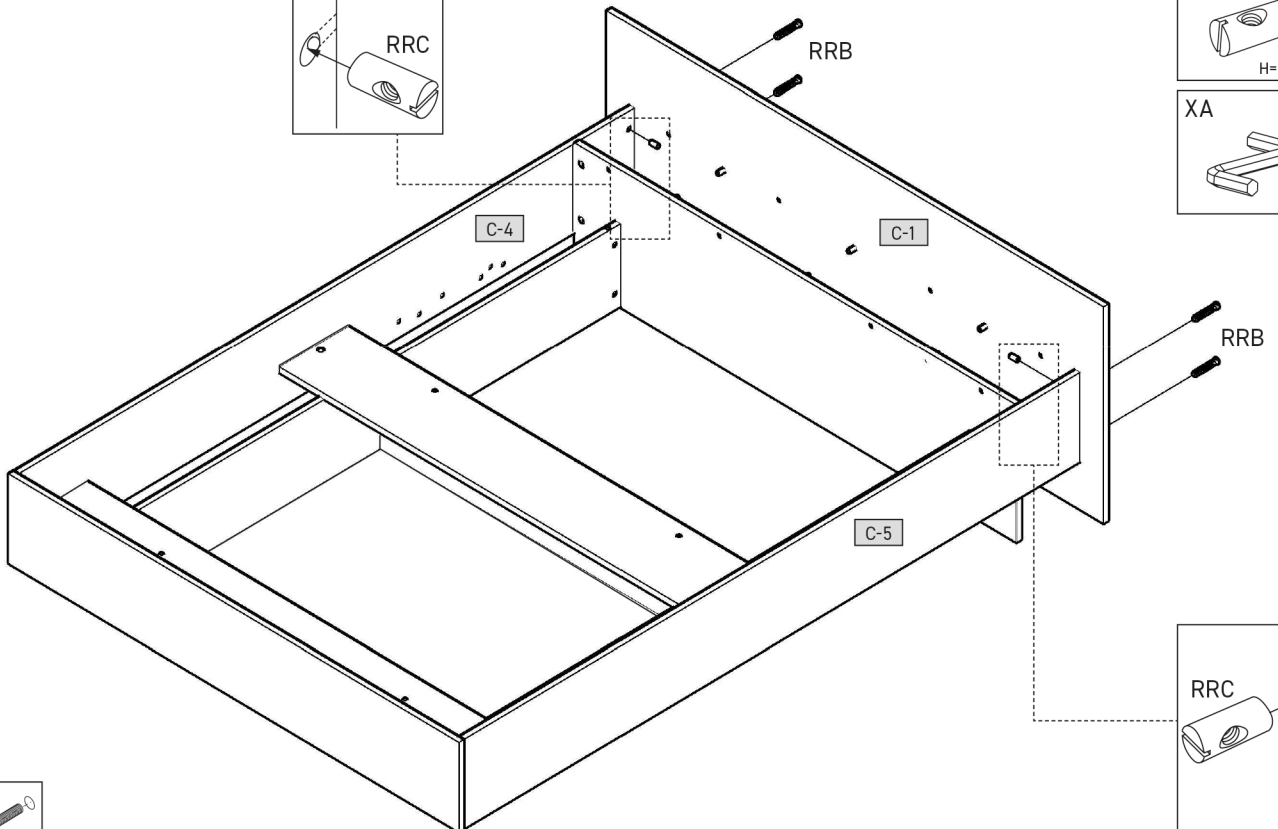
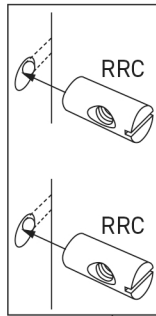
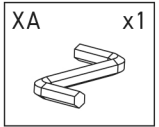
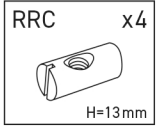
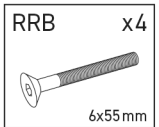
12



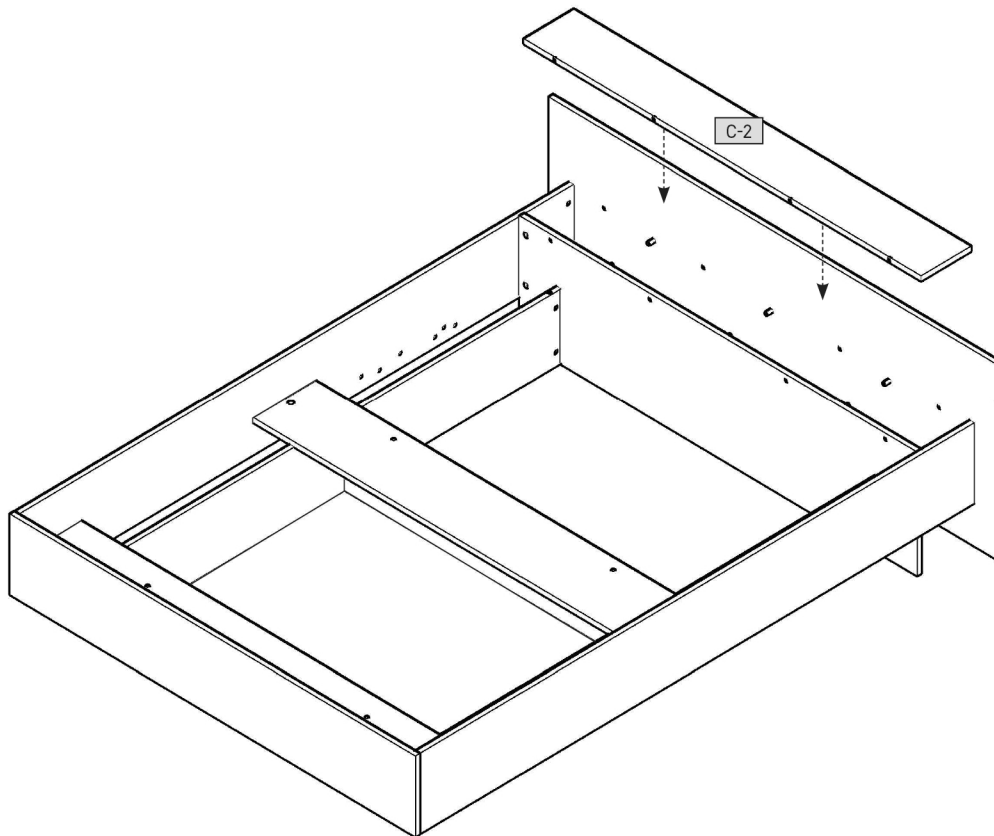
13



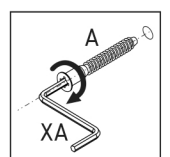
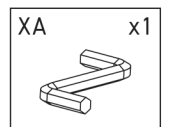
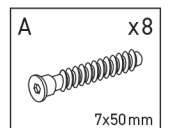
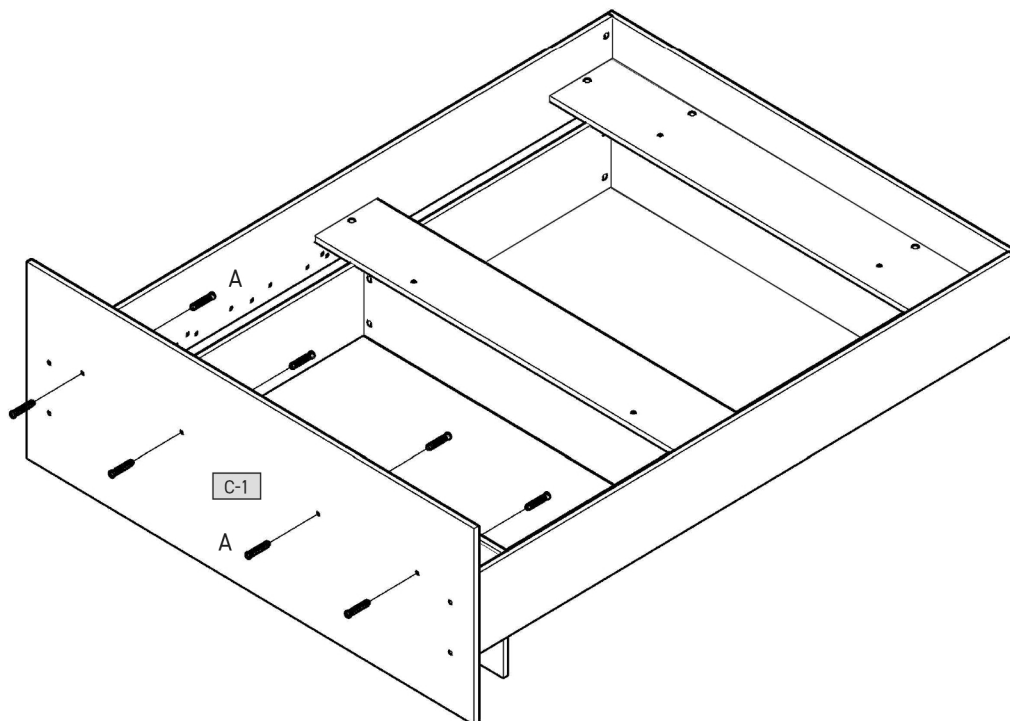
14



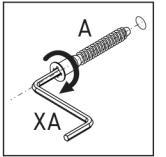
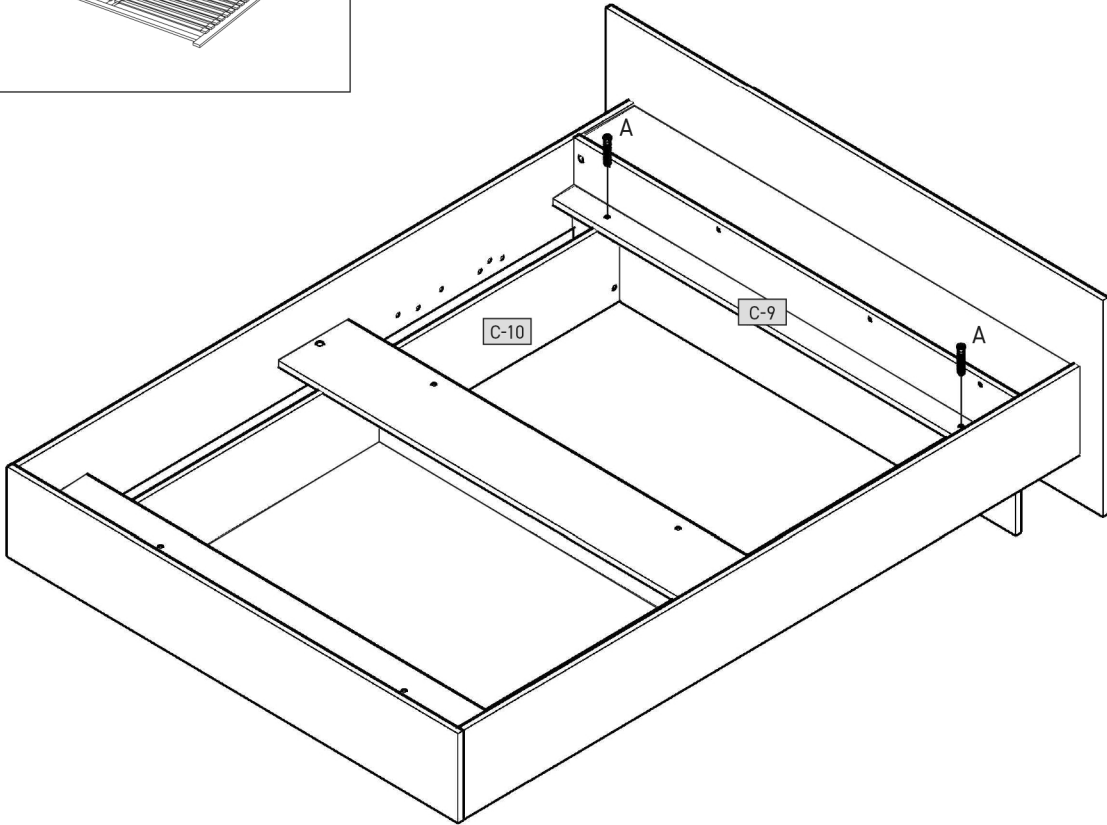
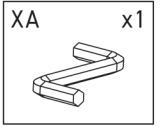
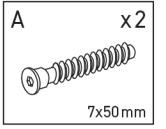
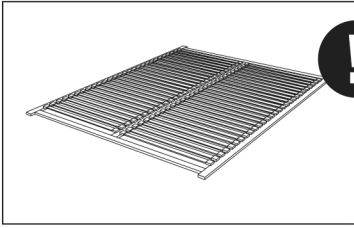
15



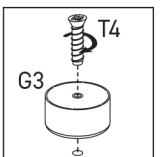
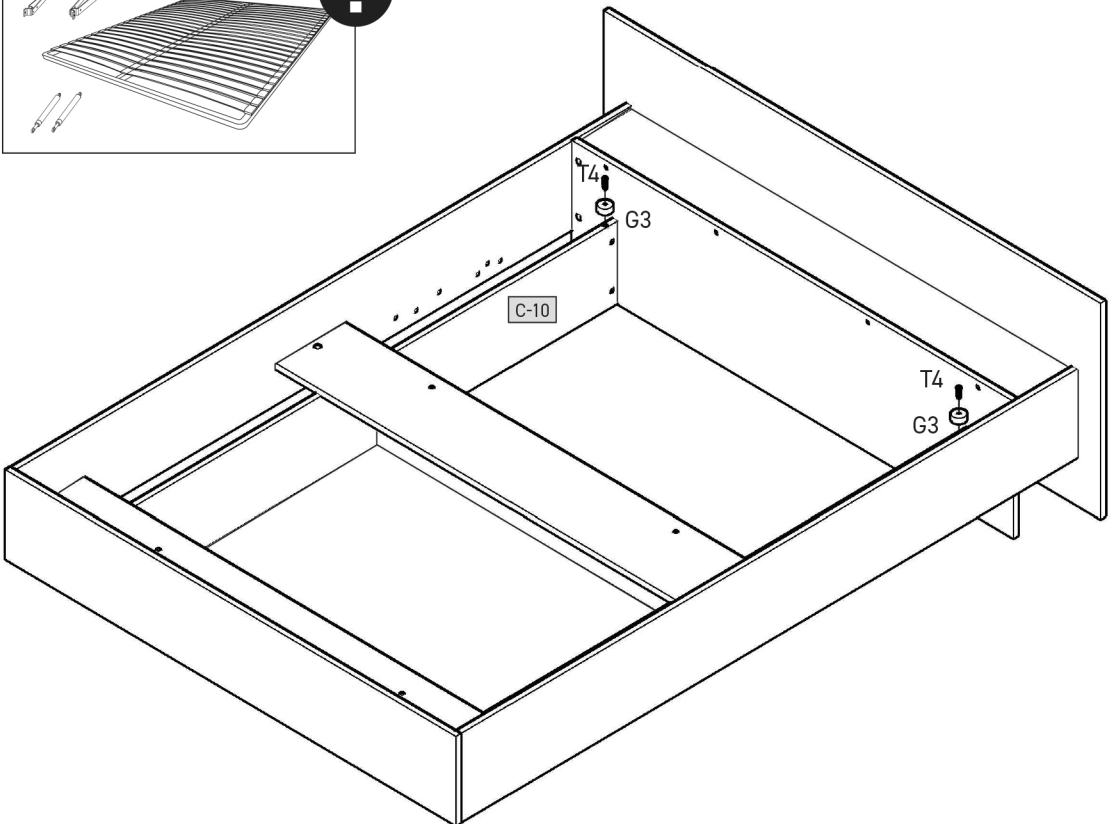
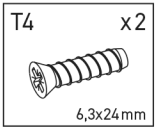
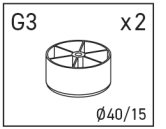
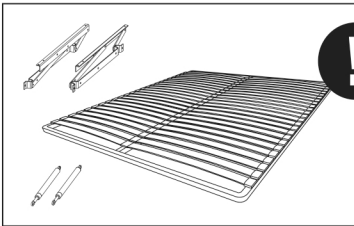
16



17

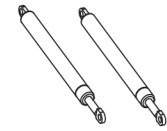
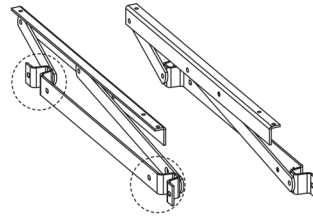
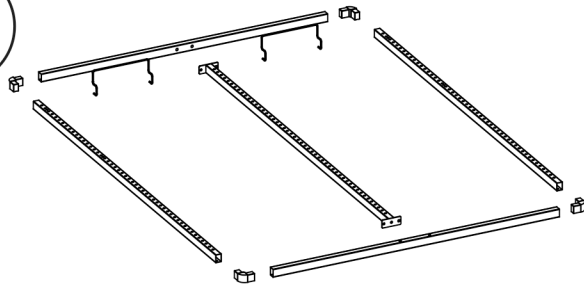


17



18

A



x 50



x 4



x 8



x 4

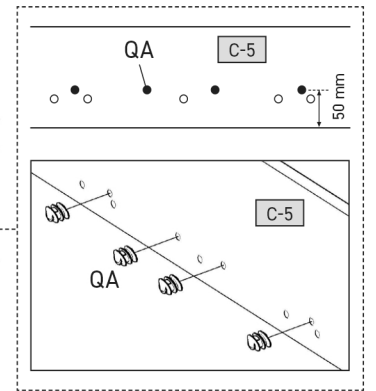
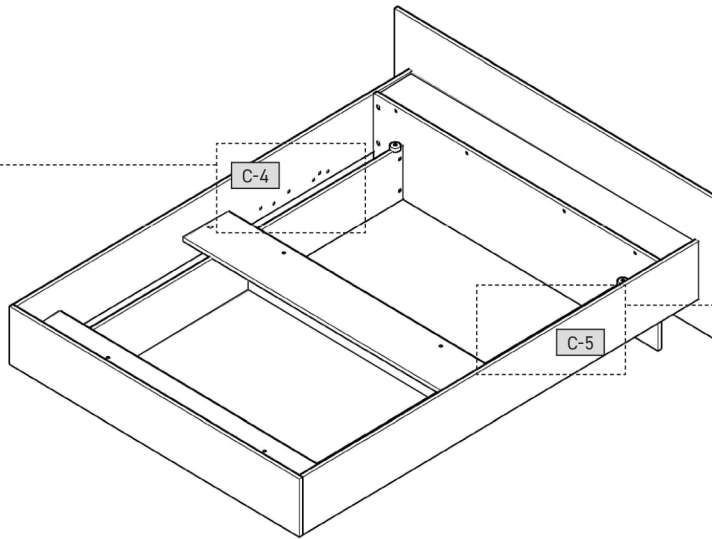
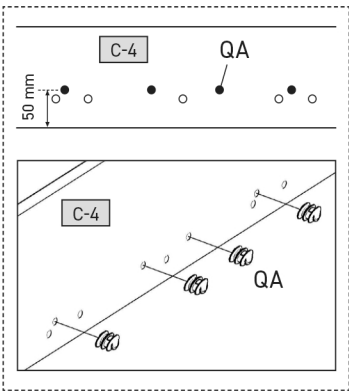
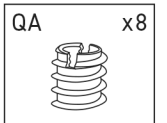
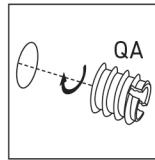


x 25

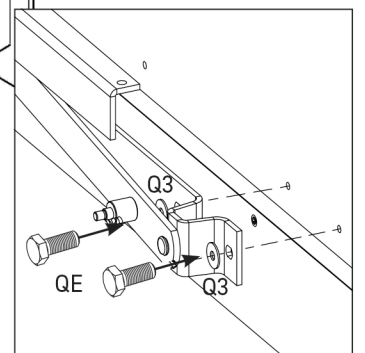
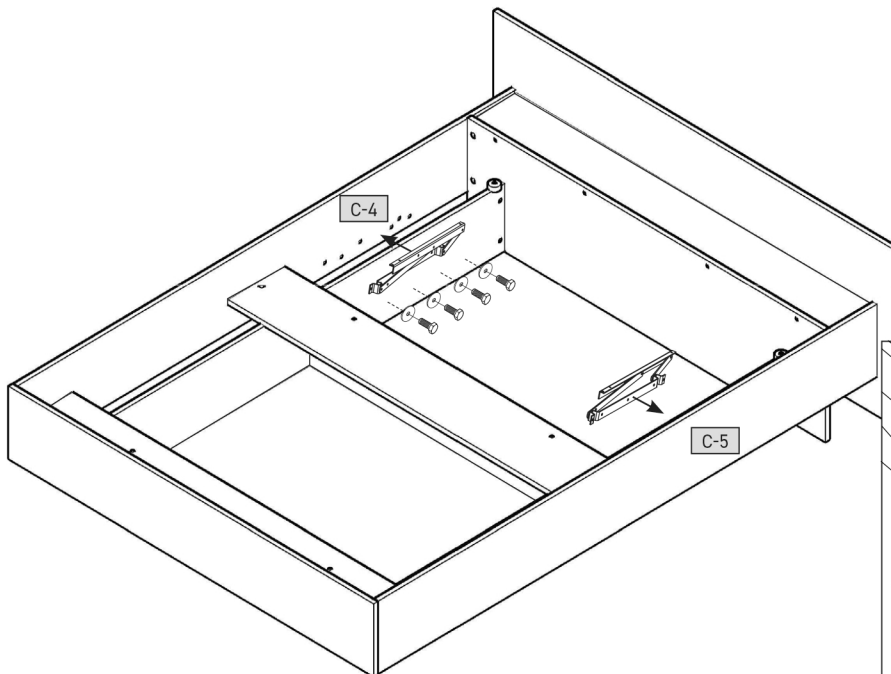
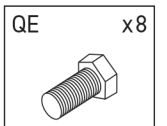
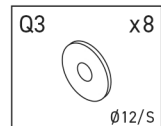


x 50

19

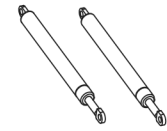
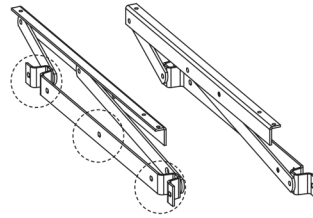
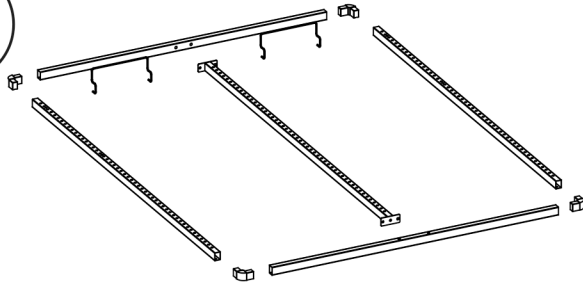


20



18

C



x 50



x 4



x 8



x 4

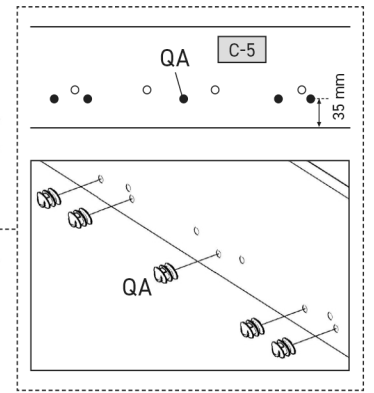
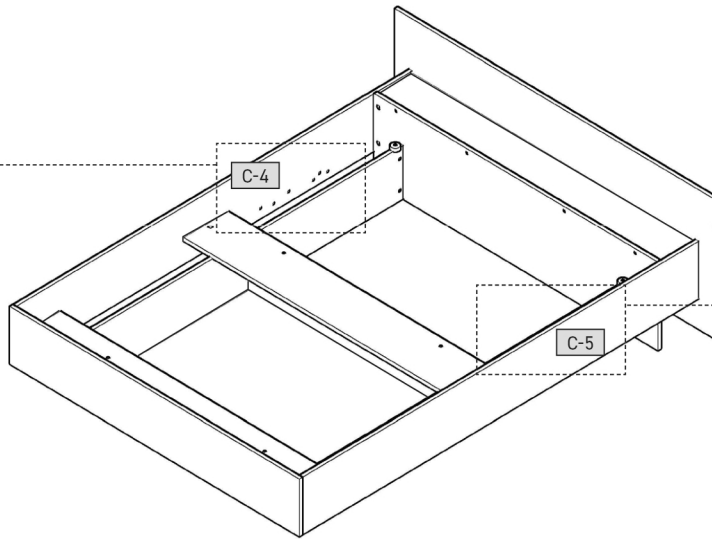
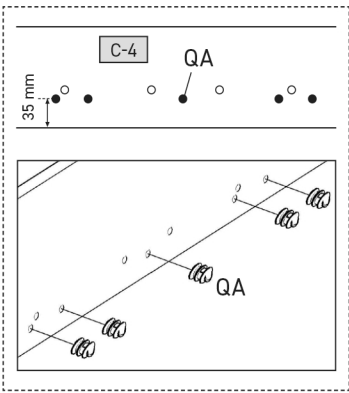
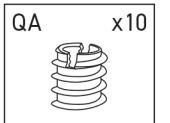
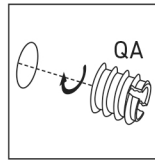


x 25

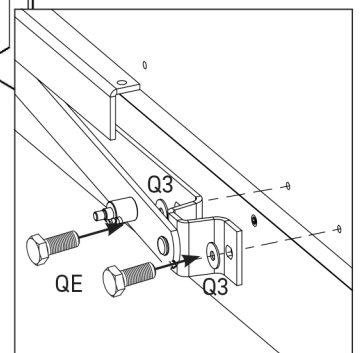
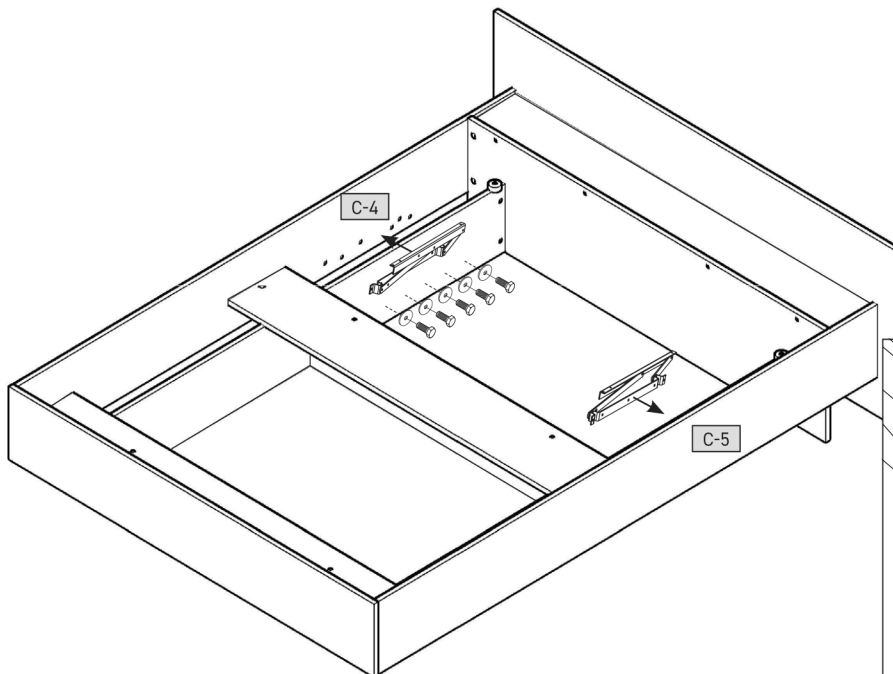
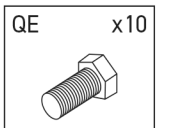
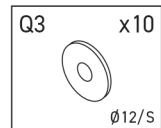


x 50

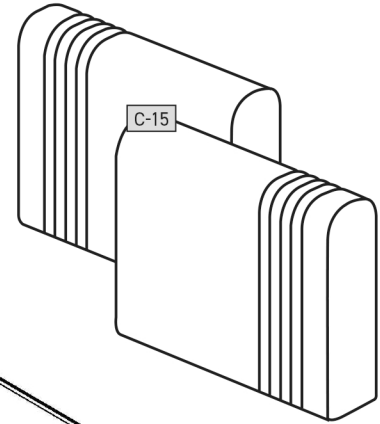
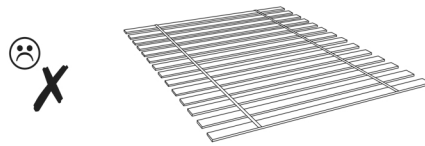
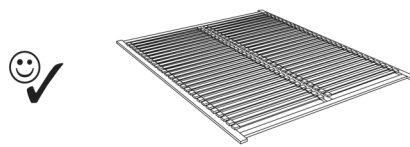
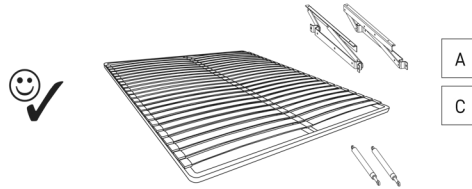
19



20



A x__ 7x50mm	B x__ 8x32mm	E1 x__ 4x16mm	E2 x__ 3x20mm	G2 x__ 	G3 x__ Ø40/15	Q3 x__ Ø12/S	QA x__ 	QE x__
R x__ H=11mm	RRB x__ 6x55mm	RRC x__ H=13mm	T4 x__ 6,3x24mm	U x__ L=24,3mm	W9 x__ 	XA x__ 		



C-1	1800	660	16	x 1	2/3
C-2	1600	200	16	x 1	2/3
C-3	1600	417	16	x 1	2/3
C-4	2238	270	16	x 1	1/3
C-5	2238	270	16	x 1	1/3
C-6	1633	271	16	x 1	1/3
C-7	1600	250	16	x 1	2/3
C-8	1600	250	16	x 1	2/3
C-9	1600	80	16	x 1	2/3
C-10	1850	250	16	x 1	1/3
C-11	1850	250	16	x 1	1/3
C-12	1301	250	16	x 1	1/3
C-13	1268	250	16	x 1	1/3
C-14	1296	1002	3	x 1	2/3
C-15	800	640	200	x 2	3/3

